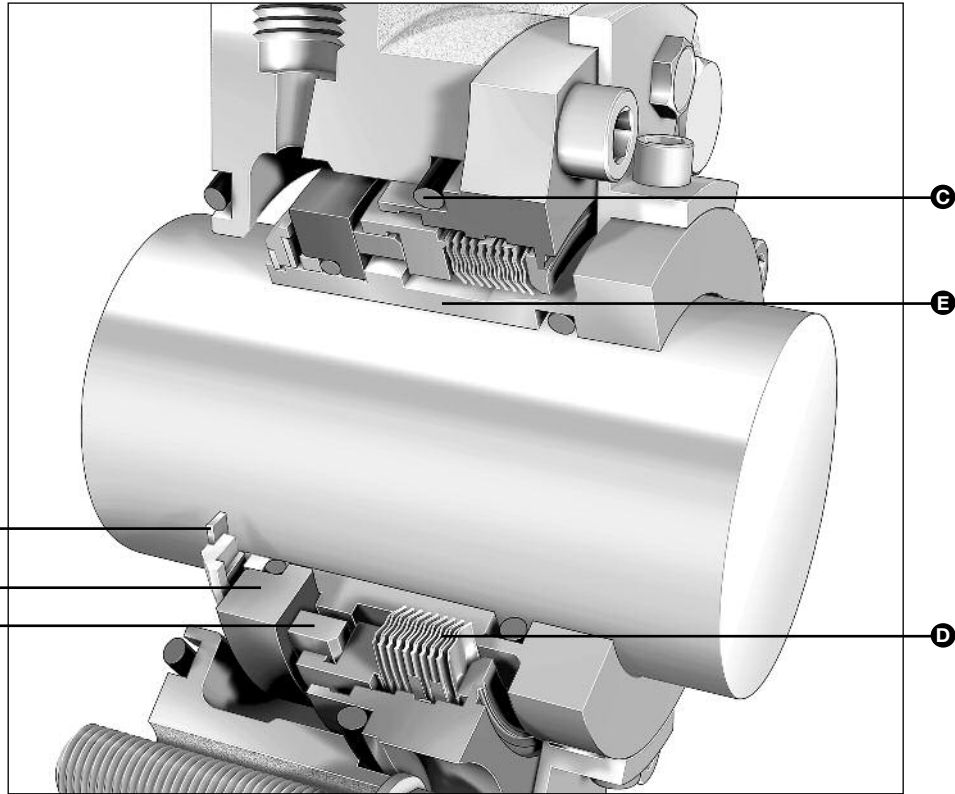


- A – Seat/Mating Ring
- B – Insert
- C – O-ring
- D – Seal Bellows
- E – Sleeve
- F – Compression Ring Assembly



Welded Metal Bellows

### Product Description

The Type 613 is a Single Bellows Cartridge Seal utilizing performance-proven ECS technology.

- Operates wet with reliable intermittent dry-running capability
- Target applications include batch processes, tank farms, loading and unloading platforms and intermittent processes

### Design Features

- Dry-sliding technology
- Compact and easy-to-install cartridge design
- Only one moving part the bellows
- Eliminates O-ring “hang-up” problems
- Fits ansi standard and enlarged bore pumps, as well as metric pumps
- Available with a variety of elastomers

### Performance Capabilities

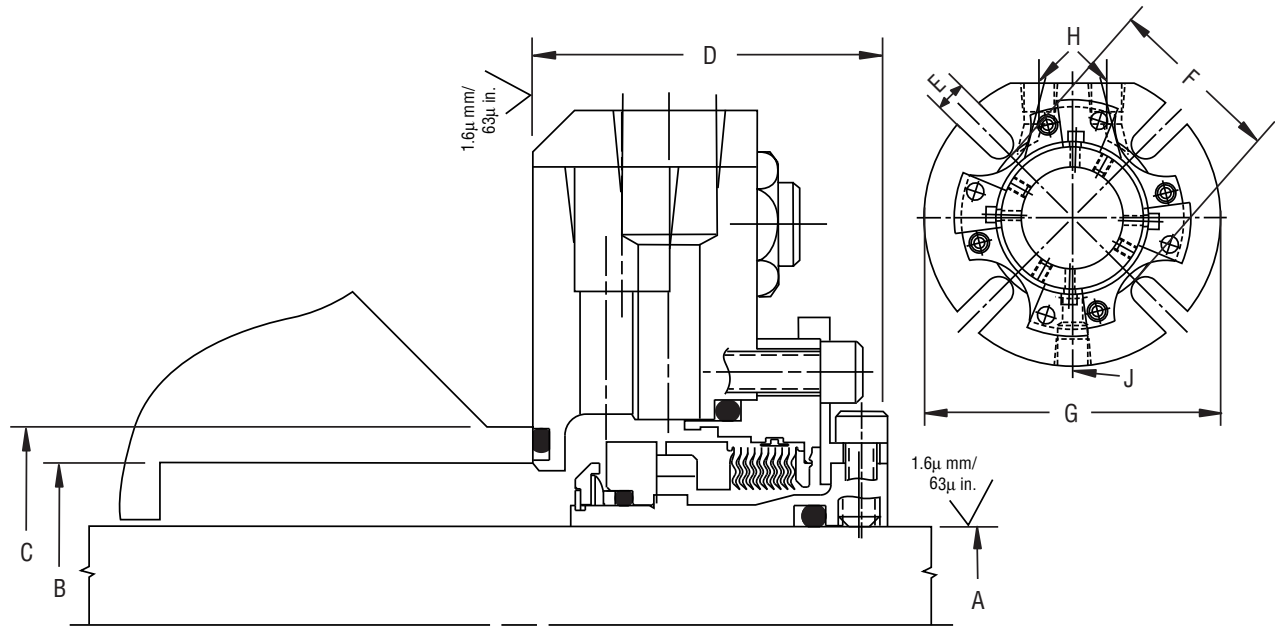
- Temperature: -75°C to 200°C/-100°F to 400°F (depending on elastomer specified)
- Pressure:
  - Normal running mode: partial vacuum to 10 bar g/150 psig
  - Dry running mode: partial vacuum to 1 bar g/15 psig
- Speed: up to 25 m/s/5,000 fpm
- End play/axial float allowance: 0.13mm/0.005" FIM max.
- Shaft runout: 0.001mm per mm/0.001" per inch of shaft diameter FIM max.

# TYPE 613

## WET/DRY RUNNING CARTRIDGE METAL BELLOWS SEAL

Technical Specification

### Type 613 Typical Arrangement/Dimensional Data



### Type 613 Dimensional Data (mm)

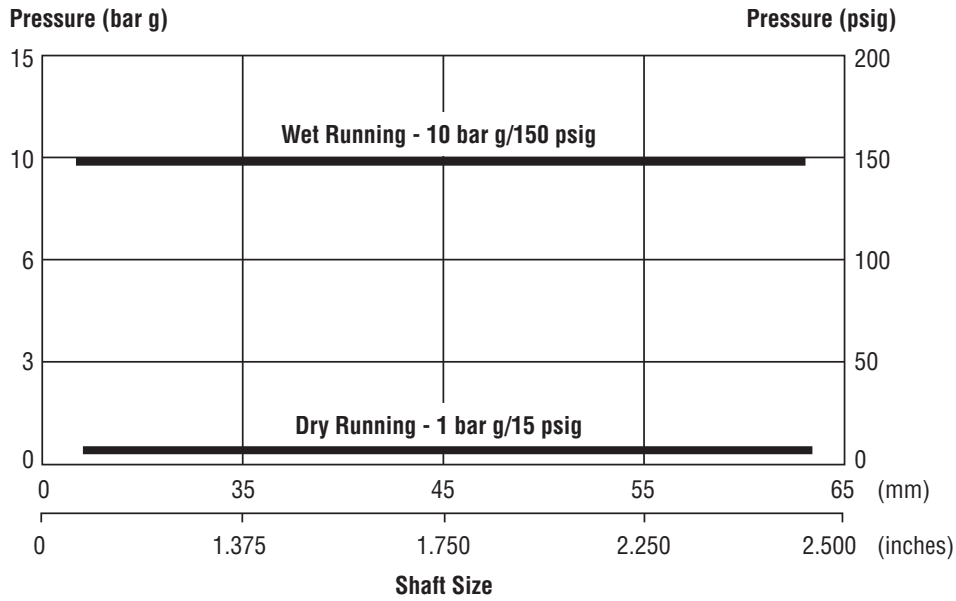
Seal Dash Number	Shaft Size A +0.00/-0.05	B	C	D	E	F	G	H	J
-033	33	53.98	60.33	52.43	12.70	71.45	117.48	1/4-18	3/8-18
-035	35	53.98	60.33	52.43	12.70	71.45	117.48	1/4-18	3/8-18
-043	43	66.68	76.19	53.98	14.27	85.73	119.35	3/8-18	3/8-18
-045	45	66.68	76.19	53.98	14.27	85.73	119.35	3/8-18	3/8-18
-053	53	83.00	95.00	61.90	14.27	100.03	152.40	3/8-18	3/8-18
-055	55	83.00	95.00	61.90	14.27	100.03	152.40	3/8-18	3/8-18
-065	65	92.08	107.95	70.64	17.45	122.25	171.45	3/8-18	3/8-18

### Type 613 Dimensional Data (inches)

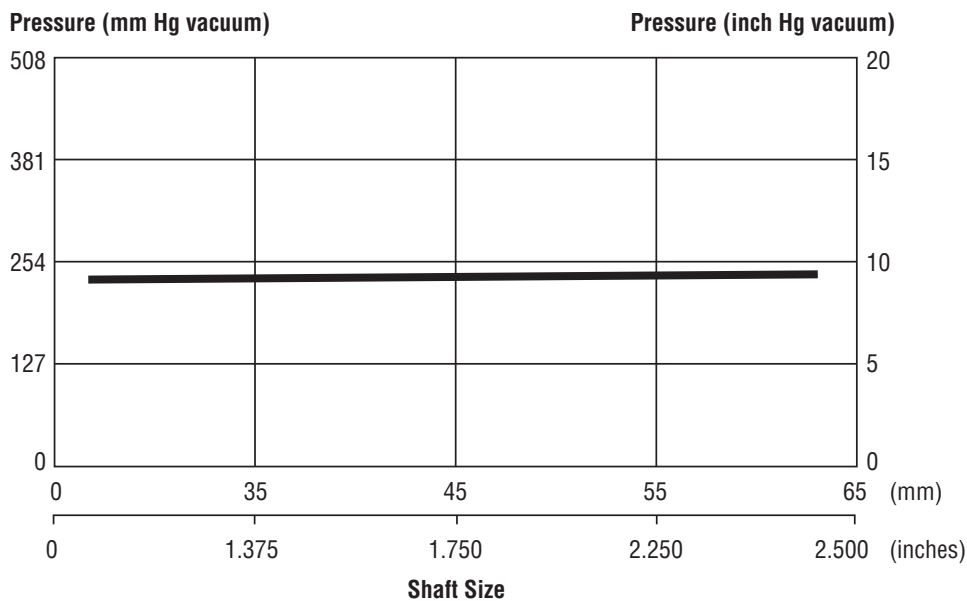
Seal Dash Number	Shaft Size A +0.000/-0.002	B Max.	C Min.	D	E	F	G	H	J
-24	1.125	2.000	2.250	2.00	0.44	2.44	4.625	1/4-18	3/8-18
-28	1.375	2.125	2.375	2.06	0.50	2.81	4.625	1/4-18	3/8-18
-28*	1.375	2.875	3.312	2.06	0.44	3.44	5.250	1/4-18	3/8-18
-34	1.750	2.625	3.000	2.13	0.56	3.38	5.500	3/8-18	3/8-18
-34*	1.750	3.500	3.937	2.13	0.69	4.44	6.750	3/8-18	3/8-18
-36	1.875	2.750	3.125	2.19	0.56	3.31	5.500	3/8-18	3/8-18
-36*	1.875	3.625	4.125	2.56	0.56	4.44	6.000	3/8-18	3/8-18
-40	2.125	3.062	3.437	2.44	0.56	3.94	6.000	3/8-18	3/8-18
-40*	2.125	4.000	4.437	2.44	0.75	4.75	7.250	3/8-18	3/8-18
-46	2.500	3.500	4.000	2.63	0.75	4.25	6.750	3/8-18	3/8-18
-46*	2.500	4.750	5.250	2.63	0.69	5.56	8.000	3/8-18	3/8-18
-48	2.625	3.625	4.250	2.78	0.69	4.81	6.750	3/8-18	3/8-18
-48*	2.625	4.625	5.125	2.78	0.69	5.31	7.375	3/8-18	3/8-18

\*Enlarged seal chamber version.

### Maximum Dynamic Pressure Limits



### Minimum Dynamic Pressure Limits - Wet or Dry Running



### Materials of Construction

SEAL COMPONENTS	MATERIALS	
	Description	Options
Seat/Mating Ring	Standard Silicon Carbide	Options —
Insert	Carbon	—
Sleeve	316 Stainless Steel	Alloy 20
Gland	Alloy 20 (UNS N08020)	—
Bellows	Alloy C-276 (UNS N10276)	—
Elastomers	Fluorocarbon EPR Perfluoroelastomer PTFE-Encapsulated Fluorocarbon	—

### Welded Metal Bellows

#### Design features

- Optimum 45° tilt angle
- Three-sweep radius
- Nesting ripple plate design
- Static secondary seal
- Light spring loads

#### Bellows benefits

- Uniform plate rigidity and stress distribution
- Enhanced fatigue strength
- Pressure-balanced by design
- Less heat
- Low power consumption

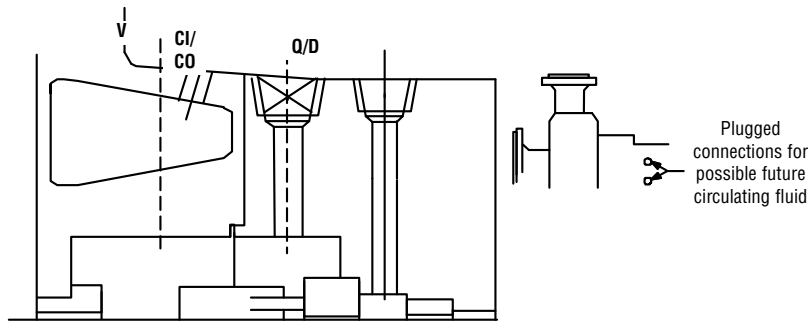
### Typical Applications

- Acids
- Aqueous solutions
- Caustics
- Chemicals
- Food products
- Hydrocarbons
- Lubricating fluids
- Slurries (non-abrasive)
- Solvents
- Thermo-sensitive fluids
- Viscous fluids and polymers
- Water

The Type 613 is recommended in clean applications where abrasives will not damage the carbon seal ring.

### Piping Plans

The Type 613 bellows cartridge seal is normally operated with ANSI Plan 7302 (API Plan 02), which calls for a dead-ended seal chamber. The Type 613 also provides a means of recirculating the product or removing air from the seal chamber to extend seal life. The most popular piping plans are shown below for your reference.

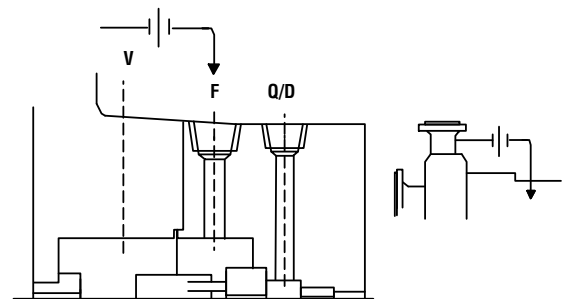


#### ANSI Plan 7302 (API Plan 02)

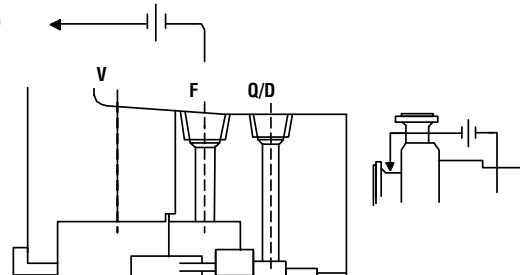
Normally specified for clean fluids, this plan calls for a dead-ended seal chamber with no circulation of flush fluid. The seal cavity may be jacketed, and a heating or cooling fluid can be circulated through the jacket. A throat bushing may be required when specified.

#### ANSI Plan 7311 (API Plan 11)

This plan requires installation of a recirculation line from the pump case discharge through an orifice to the gland flush connection. The primary purpose of this plan is to dissipate heat generated at the seal faces and/or build seal chamber pressure.



To pump suction



#### ANSI Plan 7313 (API Plan 13)

This piping plan requires the installation of a recirculation line from the gland flush connection back to the pump suction. ANSI Plan 7313 is frequently used on vertical pumps to vent vapors from the seal chamber. It is also used in applications where the seal chamber pressure is at or near discharge pressure. When utilizing this piping plan on a horizontal pump, the flush connection should be located at the top of the gland to ensure that there are no air pockets in the seal chamber.

john crane

# TYPE 613

## WET/DRY RUNNING CARTRIDGE METAL BELLOWS SEAL

Technical Specification

john crane

# TYPE 613

## WET/DRY RUNNING CARTRIDGE METAL BELLOWS SEAL

Technical Specification



**North America**  
 United States of America  
 Tel: 1-847-967-2400  
 Fax: 1-847-967-3915

**Europe**  
 United Kingdom  
 Tel: 44-1753-224000  
 Fax: 44-1753-224224

**Latin America**  
 Brazil  
 Tel: 55-11-3371-2500  
 Fax: 55-11-3371-2599

**Middle East & Africa**  
 United Arab Emirates  
 Tel: 971-481-27800  
 Fax: 971-488-62830

**Asia Pacific**  
 Singapore  
 Tel: 65-6518-1800  
 Fax: 65-6518-1803

If the products featured will be used in a potentially dangerous and/or hazardous process, your John Crane representative should be consulted prior to their selection and use. In the interest of continuous development, John Crane Companies reserve the right to alter designs and specifications without prior notice. It is dangerous to smoke while handling products made from PTFE. Old and new PTFE products must not be incinerated. ISO 9001 and ISO14001 Certified, details available on request.