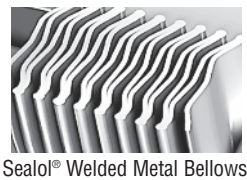
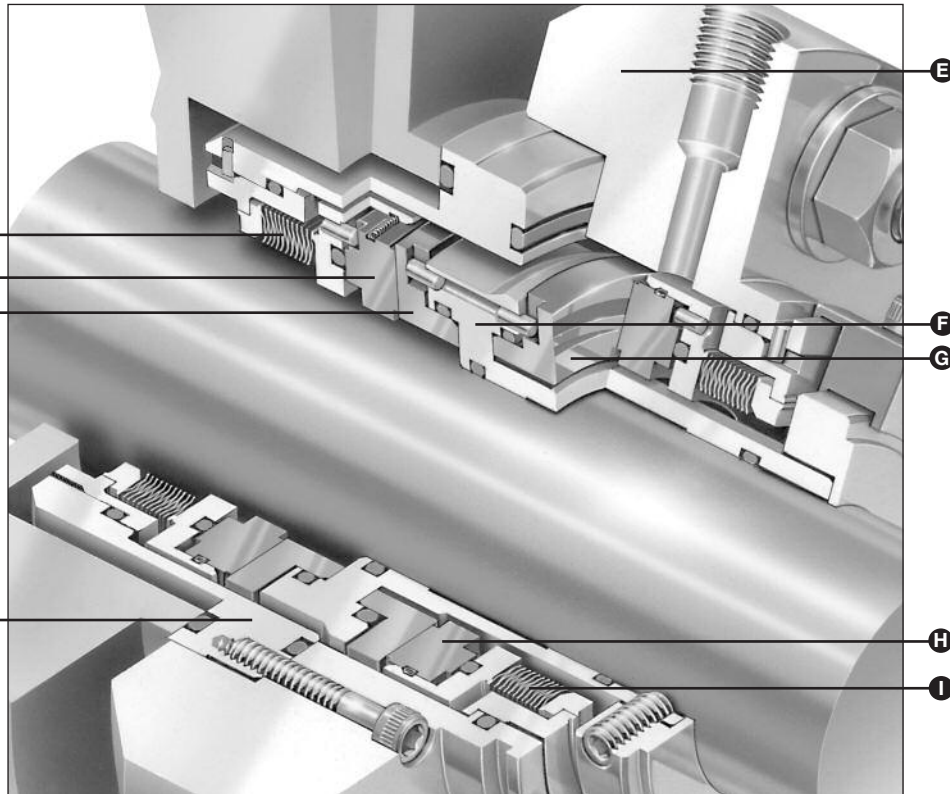


TYPE 2800MB

**METAL BELLOWS, GAS-LUBRICATED,
NON-CONTACTING, DUAL CARTRIDGE SEAL**

Technical Specification

- A – Inner Bellows Assembly
- B – Stator/Primary Ring
- C – Rotor/Mating Ring
- D – Inner Gland
- E – Outer Gland
- F – Sleeve
- G – Rotor/Mating Ring
- H – Stator/Primary Ring
- I – Outer Bellows Assembly



Sealol® Welded Metal Bellows



Spiral Groove Technology

Product Description

Type 2800MB is a state-of-the-art welded metal bellows, gas-lubricated, non-contacting dual seal cartridge.

- 0.0 Fugitive emissions for maximum achievable control technology (MACT) compliance in new or existing large bore seal chambers
- For high reliability sealing of volatile fluids in chemical and petrochemical processes
- Dual seal alternative for positive sealing of high purity fluids without the potential for product contamination
- Extended seal life
- Reduced power consumption
- Elimination of wet seal lubrication system

Design Features

- Edge-welded metal bellows
- Reverse pressure capability*
- Spiral groove technology
- Non-contacting design
- Simplified support system
- Static secondary seal
- Dual mating ring arrangement meets API 682 design requirements.

Performance Capabilities

- Temperature: -40°C to 260°C/-40°F to 500°F (depending on elastomer used)
- Seal chamber pressure: up to 16 bar g/230 psig (consult pressure rating limit)
- Speed: 1450 rpm minimum/3600 rpm maximum

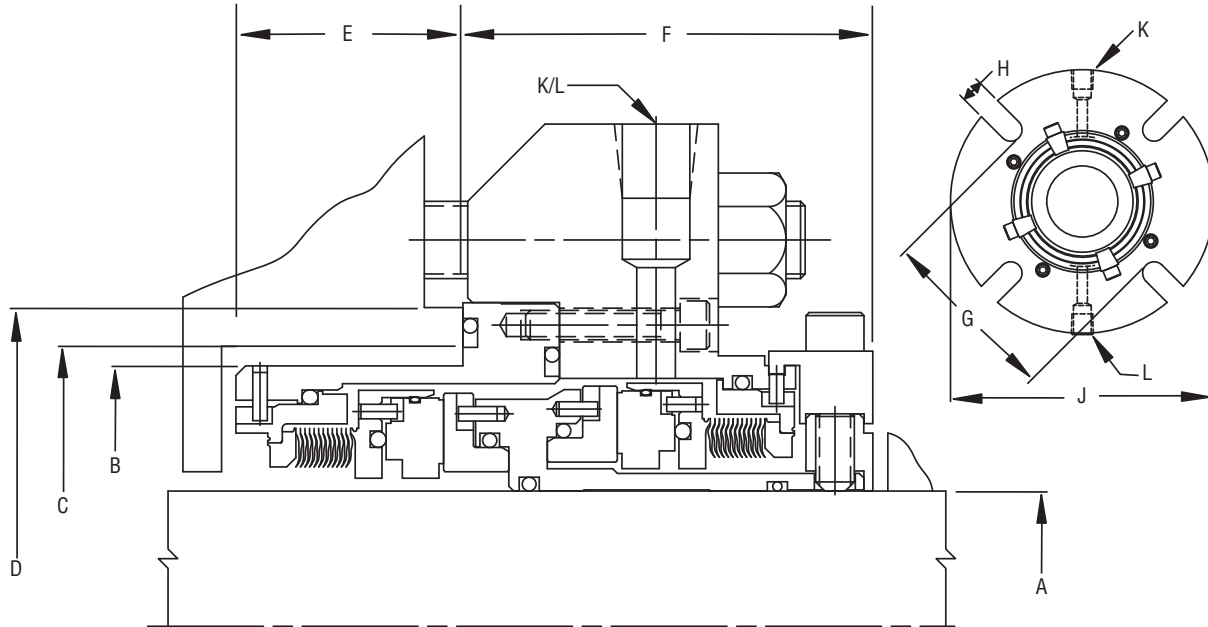
NOTE: Conditions that vary from those listed above can be sealed using other 2800 series products.

TYPE 2800MB

**METAL BELLOWS, GAS-LUBRICATED,
NON-CONTACTING, DUAL CARTRIDGE SEAL**

Technical Specification

Type 2800MB Typical Arrangement/Dimensional Data



Type 2800MB Dimensional Data (ANSI Sizes, Inches)

Seal Dash Number Inner	Seal Dash Number Outer	A +.000 -.002	B +.000 -.002	C Max.	D Min.	E	F	G	H	J	K (NPT)	L (NPT)
-20	-24	1.125	2.490	2.750	3.125	1.512	2.093	3.32	.44	5.25	1/4-18	1/4-18
		Duriron										
-22	-24	1.125	2.615	2.875	3.250	1.655	1.980	3.32	.44	5.25	1/4-18	1/4-18
		Goulds										
-24	-26	1.375	2.740	2.875	3.375	1.615	1.980	3.56	.44	5.25	1/4-18	1/4-18
		Goulds										
-24	-26	1.375	2.740	2.875	3.375	1.500	2.095	3.56	.44	5.25	1/4-18	1/4-18
		Duriron										
-32	-34	1.750	3.302	3.625	4.125	1.469	2.593	4.44	.56	6.50	1/4-18	1/4-18
-34	-36	1.875	3.370	3.625	4.125	1.330	2.746	4.44	.56	6.00	1/4-18	1/4-18
-38	-40	2.125	3.677	3.875	4.375	1.708	2.521	5.31	.69	7.25	1/4-18	1/4-18
-44	-46	2.500	4.177	4.750	5.250	1.788	2.707	6.06	.69	8.00	1/4-18	1/4-18
-46	-48	2.625	4.365	4.625	5.125	1.550	2.901	5.44	.56	7.00	1/4-18	1/4-18
-48	-50	2.750	4.490	4.750	5.250	2.152	2.532	6.06	.69	8.00	1/4-18	1/4-18

TYPE 2800MB

METAL BELLOWS, GAS-LUBRICATED, NON-CONTACTING, DUAL CARTRIDGE SEAL

Technical Specification

Type 2800MB Inch-Range Dimensional Data (mm)

Seal Dash Number Inner	Seal Dash Number Outer	A +.000 -0.05	B +.000 -0.05	C Max.	D Min.	E	F	G	H	J	K (NPT)	L (NPT)
-20	-24	28.58 Duriron	63.25	69.85	79.38	38.40	53.16	84.33	11.18	133.35	1/4-18	1/4-18
-22	-24	28.58 Goulds	66.42	73.03	82.55	42.04	50.29	84.33	11.18	133.35	1/4-18	1/4-18
-24	-26	34.93 Goulds	69.60	73.03	85.73	41.02	50.29	90.42	11.18	133.35	1/4-18	1/4-18
-24	-26	34.93 Duriron	69.60	73.03	85.73	38.10	53.21	90.42	11.18	133.35	1/4-18	1/4-18
-32	-34	44.45	83.87	92.08	104.78	37.31	65.86	112.78	14.22	165.10	1/4-18	1/4-18
-34	-36	47.63	85.60	92.08	104.78	33.78	69.75	112.78	14.22	152.40	1/4-18	1/4-18
-38	-40	53.98	93.40	98.43	111.13	43.38	64.03	134.87	17.53	184.15	1/4-18	1/4-18
-44	-46	63.50	106.10	120.65	133.35	45.42	68.76	153.92	17.53	203.20	1/4-18	1/4-18
-46	-48	66.68	110.87	117.48	130.18	39.37	73.69	138.18	14.22	177.80	1/4-18	1/4-18
-48	-50	69.85	114.05	120.65	133.35	54.66	64.31	153.92	17.53	203.20	1/4-18	1/4-18

Criteria for Installation

SHAFT/SLEEVE	LIMITS
Surface Finish	1.6 μ mRa/63Ra or better
Ovality/Out of Roundness (Shaft)	0.05mm/0.002"
End Play/Axial Float Allowance (Maximum Dynamic)	\pm 0.08mm/0.003"
Runout/Out of Squareness	0.051mm/0.002"
Shaft Squareness to Housing	0.08mm/0.003"

TYPE 2800MB

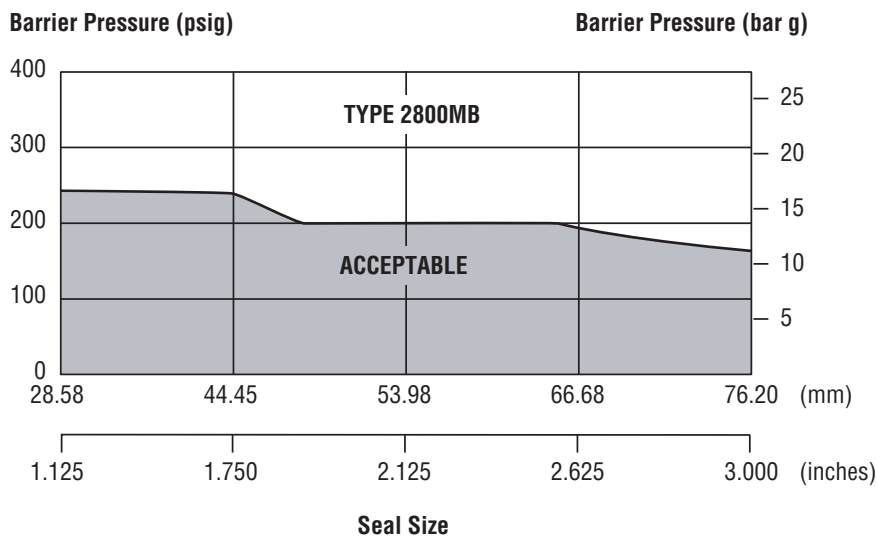
METAL BELLOWS, GAS-LUBRICATED, NON-CONTACTING, DUAL CARTRIDGE SEAL

Materials of Construction

SEAL COMPONENTS	MATERIALS	
	Description	Options
Stator/Primary Ring	Metal-Filled Carbon	Sintered Silicon Carbide (Inboard only)
Rotor/Mating Ring	Sintered Silicon Carbide	—
Sleeve Gland Plate	316 Stainless Steel (UNS 31600)	Alloy C-276 (UNS N10276)
O-ring	Fluorocarbon	Ethylene Propylene Perfluoroelastomer
Bellows	Alloy 718 (UNS N07718)	—

Pressure Rating Limits

- For pressures higher than 21 bar g/300 psig, apply the Type 2800HP (S-2800HP)*
- For standard bore equipment or constrained space, apply the Type 2800E (S-2800E)
- For high solids applications, apply the Type 2800EX
- For slow speed applications, apply the Type 2800SS**



- Differential barrier gas pressure minimum 2 bar/30 psi > seal chamber pressure.
- Minimum barrier gas pressure 4 bar/60 psi recommended.

The basic pressure rating is based on a standard seal installed according to the criteria given in this data sheet at a minimum speed of 1450 rpm, and according to generally accepted industrial practices.

Contact John Crane for process services outside this range and with more detailed application information in order to obtain the actual dynamic pressure rating.

* Patent number: 5,681,047

** Patent pending

TYPE 2800MB

**METAL BELLOWS, GAS-LUBRICATED,
NON-CONTACTING, DUAL CARTRIDGE SEAL**

Technical Specification

Welded Metal Bellows

Bellows design features

- Optimum 45° tilt angle
- Three-sweep radius
- Nesting ripple plate design
- Static secondary seal
- Light spring loads

Bellows benefits

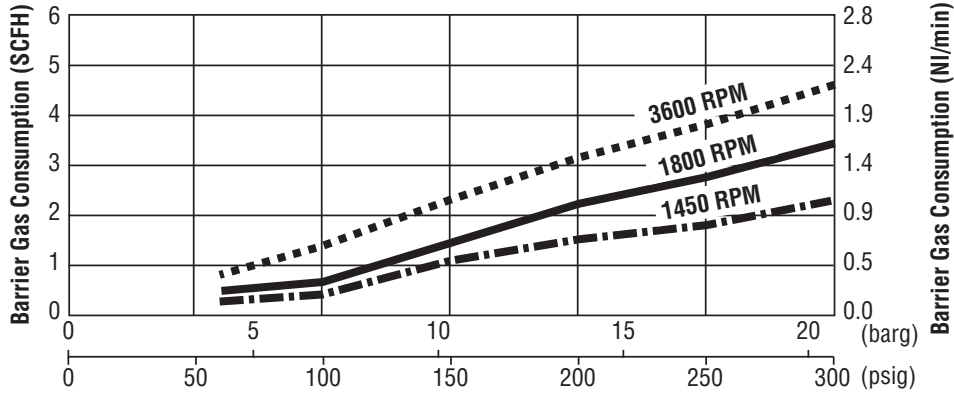
- Uniform plate rigidity and stress distribution
- Enhanced fatigue strength
- Pressure balanced by design
- Eliminates problems associated with dynamic O-rings

TYPE 2800MB

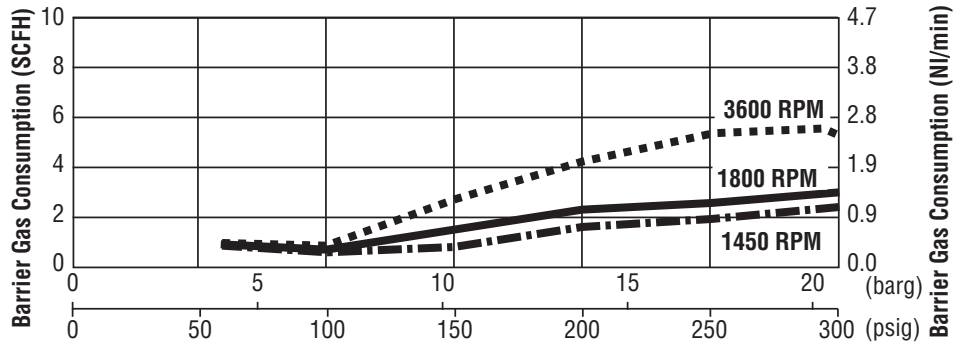
METAL BELLOWS, GAS-LUBRICATED, NON-CONTACTING, DUAL CARTRIDGE SEAL

Type 2800MB Barrier Gas Consumption

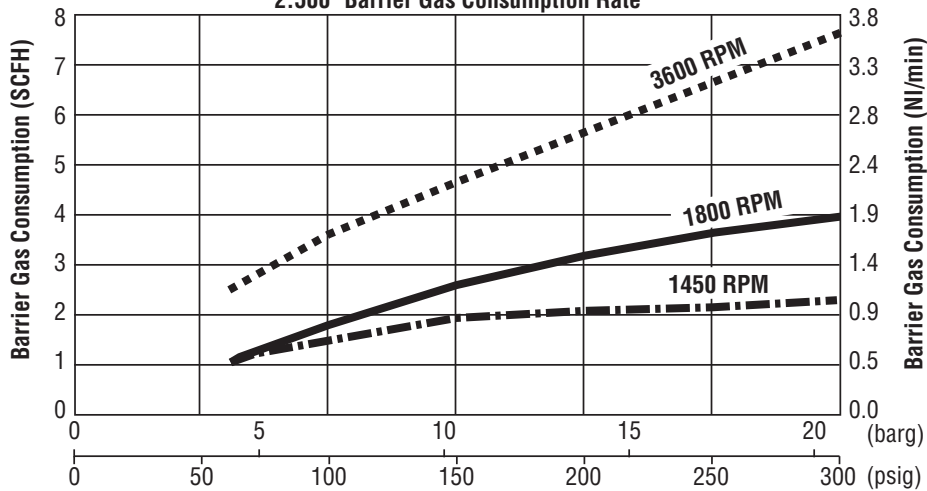
1.375" Barrier Gas Consumption Rate



1.750" Barrier Gas Consumption Rate



2.500" Barrier Gas Consumption Rate



NOTES:

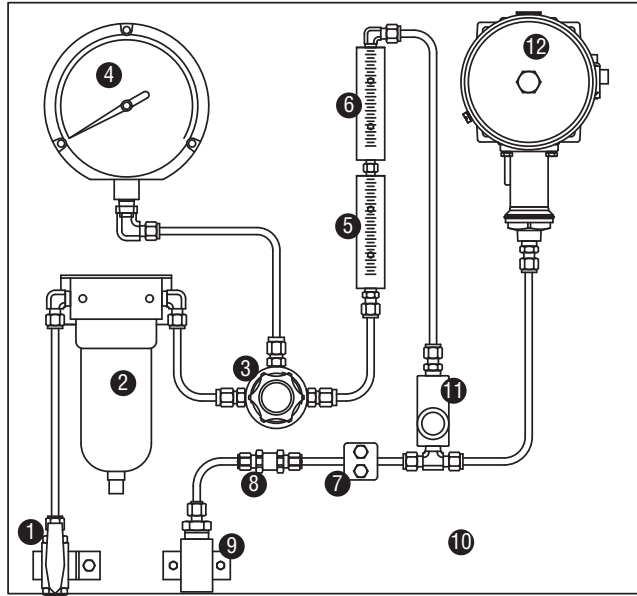
1. Curves are to be used as a guide only. Actual consumption rates may vary.
2. Total barrier gas consumption with 30 psi (2 bar) pressure differential across inner seal.
3. Consumption based on ambient temperature.
4. Atmospheric pressure flow indicated by flowmeter at gas inlet is compressed gas and therefore considerably less.
5. Consult John Crane if specific application gas consumption data is required.

TYPE 2800MB

METAL BELLOWS, GAS-LUBRICATED, NON-CONTACTING, DUAL CARTRIDGE SEAL

Barrier Gas Supply Systems

Available in both standard tamperproof enclosure and panel mounted designs.



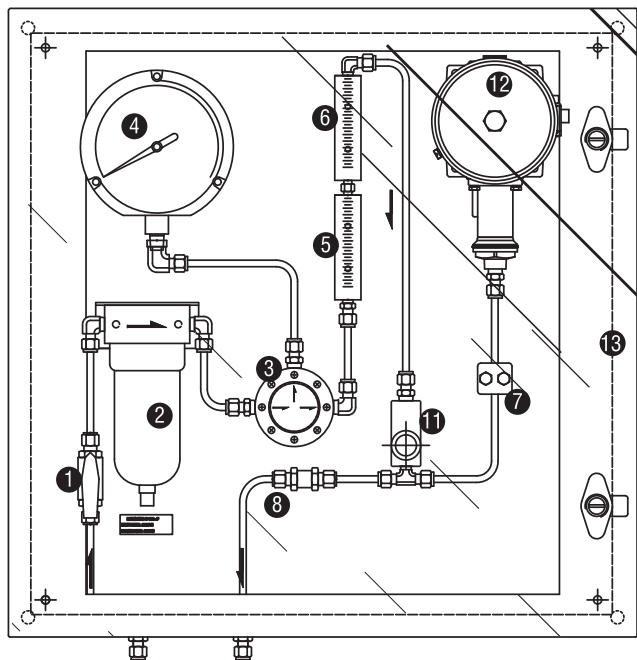
Barrier Supply ↑ Seal Chamber ↓

Standard Components

- 1 Isolating Ball Valve
- 2 Coalescing Filter
- 3 Pressure Regulator
- 4 Pressure Gauge
- 5 Flow Meter (Low Range)
- 6 Flow Meter (High Range)
- 7 Tubing Clamp
- 8 Check Valve
- 9 Coupling (To Seal Piping)
- 10 Back Panel

Options

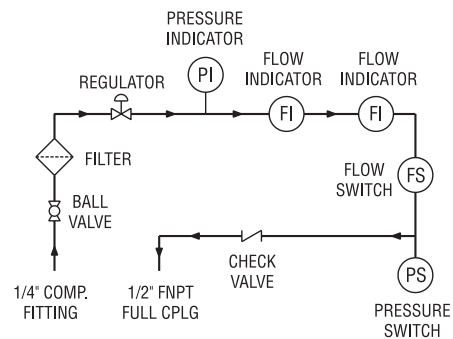
- 11 Flow Switch
 - 12 Pressure Switch
 - 13 Enclosure
- Isolast™ and Kalrez® for the Check Valve Seat Material
 - Stand
 - Enclosures are also available in a NEMA 4X Enclosure (as shown)
 - Gas Amplifier/Booster Systems
 - Pressure Tracking Regulators



Further application information is available from John Crane.

Instrumentation requirements which differ from the panels pictured can be accommodated. Contact John Crane.

GAS FLOW SCHEMATIC



TYPE 2800MB

**METAL BELLOWS, GAS-LUBRICATED,
NON-CONTACTING, DUAL CARTRIDGE SEAL**

Technical Specification

Isolast is a trademark of Forsheda Palmer Chenard.
Kalrez is a registered trademark of DuPont.



North America	Europe	Latin America	Middle East & Africa	Asia Pacific
United States of America	United Kingdom	Brazil	United Arab Emirates	Singapore
Tel: 1-847-967-2400	Tel: 44-1753-224000	Tel: 55-11-3371-2500	Tel: 971-481-27800	Tel: 65-6518-1800
Fax: 1-847-967-3915	Fax: 44-1753-224224	Fax: 55-11-3371-2599	Fax: 971-488-62830	Fax: 65-6518-1803

If the products featured will be used in a potentially dangerous and/or hazardous process, your John Crane representative should be consulted prior to their selection and use. In the interest of continuous development, John Crane Companies reserve the right to alter designs and specifications without prior notice. It is dangerous to smoke while handling products made from PTFE. Old and new PTFE products must not be incinerated. ISO 9001 and ISO14001 Certified, details available on request.